

MH147-1A

Magnetic base, multi purpose, M6 x 1 tapped hole, 50 lbs. Pull Strength, 1.40" OD, .75" Height

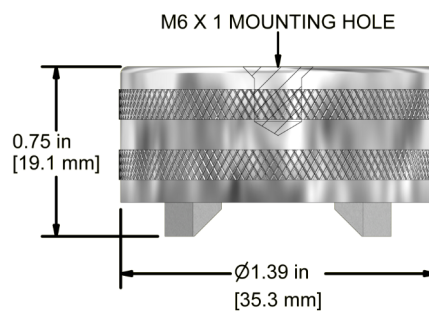


VIBRATION ANALYSIS HARDWARE



Product Features

- ▶ Durable 303 Stainless Steel case and mounting hole
- ▶ High strength Neodymium Iron Boron magnet optimizes pull strength and performance
- ▶ 2 rail mounting system allows measurements on flat and curved surfaces



Specifications

Max Temperature	266°F (130°C)
Case Material	303 Stainless Steel
Magnet Material	Neodymium iron Boron
Dimensions	1.40" (36 mm) OD, .75" (19 mm) Height
Pull Strength	50 lbs. (23 kg)
Field Mounting	M6 Mounting Hole

Chemical Compatibilities for Reference

- ▶ Gasoline - A
- ▶ Methanol - A
- ▶ Lubricants - A

Compatibility

- ▶ Compatible with M6 stud or bolt
- ▶ Conversion mounting studs sold separately

Stock Product

Backed by our Unconditional Lifetime Warranty

www.ctconline.com | sales@ctconline.com | 585-924-5900