

MH128-1A



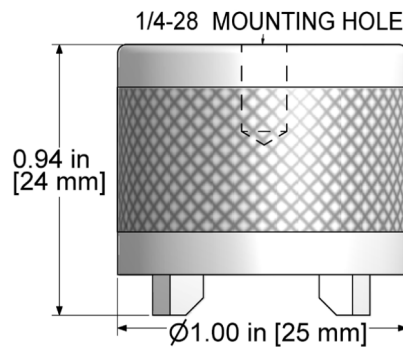
VIBRATION ANALYSIS HARDWARE

Multipurpose 2 Rail Magnet Mounting Base, 1/4-28 Blind Tapped Hole, 30 lbs. Pull Strength, 1" (25.4 mm) OD, 0.94" (23.88 mm) Height



Product Features

- ▶ Durable 303 Stainless Steel case and mounting hole
- ▶ High strength Neodymium Iron Boron magnet optimizes pull strength and performance
- ▶ 2 rail mounting system allows measurements on flat and curved surfaces



Specifications

Max Temperature	266°F (130°C)
Case Material	303 Stainless Steel
Magnet Material	Neodymium Iron Boron
Dimensions	1.00" (25 mm) OD, .94" (24 mm) Height
Pull Strength	30 lbs. (14 kg)
Sensor Mounting	1/4-28 Mounting Hole

Chemical Compatibilities for Reference

- ▶ Gasoline - A
- ▶ Methanol - A
- ▶ Lubricants - A

Compatibility

- ▶ Compatible with all sensors with 1/4"-28 mounting stud or bolt
- ▶ Conversion mounting studs sold separately

Stock Product

Backed by our Unconditional Lifetime Warranty

www.ctconline.com | sales@ctconline.com | 585-924-5900