



LUDECA

Keep it running.

1425 N.W. 88th Avenue
Doral, FL 33172

info@ludeca.com
www.ludeca.com

TEL (305) 591-8935
FAX (305) 591-1537

SURETHERM 30X



The new heating method, easy set on a modern touch screen, is specially developed for the heating of gears and bearings. The user can set the temperature and time (ramp), or place two sensors. The major advantage this provides is the temperature differential between the internal and external component materials remains low thus reducing the potential for material stress accumulation and subsequent potential distortional damage.

Electricity

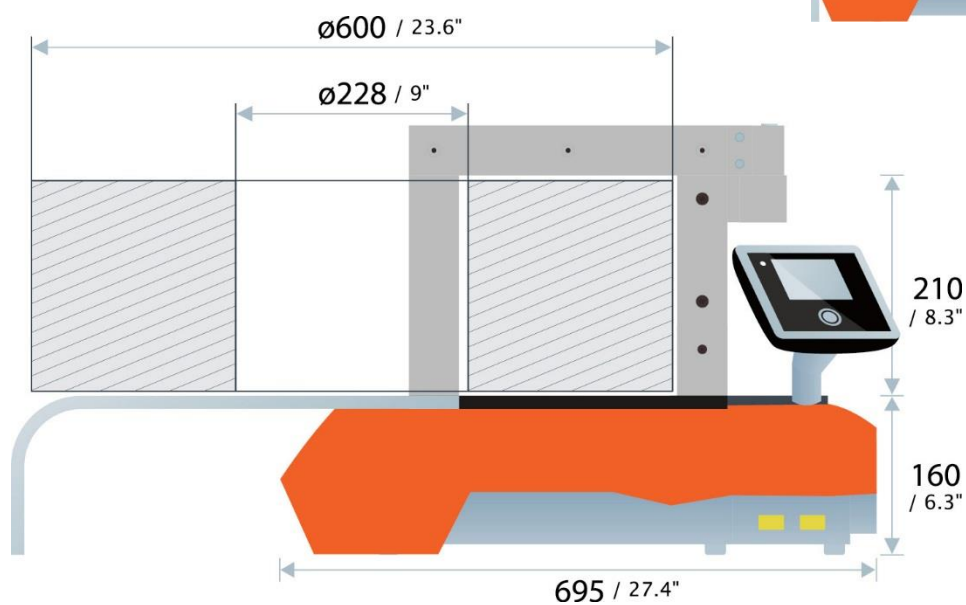
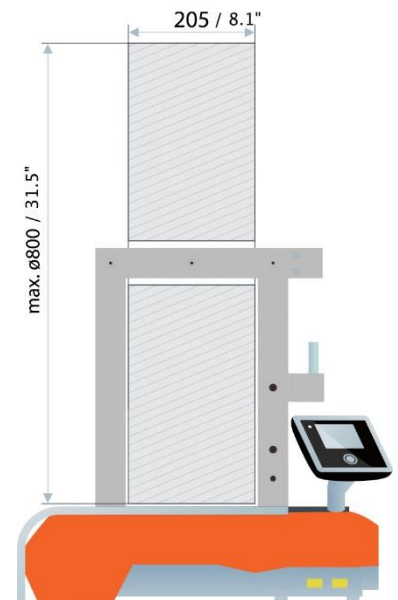
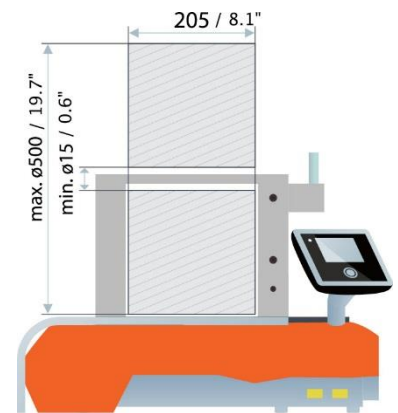
Power rating	8 kVA
Voltage	400 - 480 - 575 V
Current max.	20 A
Frequency	50 - 60 Hz

Workpiece max. weight





Bearings	200 kg / 440 lbs
Other parts	150 kg / 330 lbs

Workpiece Dimensions

Min. bore	15 mm / 0.6"
Max. Outer diameter	600 mm / 23.6"
Max. Workpiece width	205 mm / 8.1"



Controls (for tension free heating)

- 
Temperature (1 sensor)
0-240°C / 32-464°F
(Custom: 0-400°C)
- 
Temperature (2 sensor)
0-240°C ΔT 20-50°C
- 
Time
0-99 min
- 
Time / Temperature Ramp
5-99 min / 5-240°C



Available Yokes (optional)

Dimensions (mm)	10x10x350 mm	0.40x0.40x13.80"
	14x14x350 mm	0.55x0.55x13.80"
	20x20x350 mm <i>Pivot</i>	0.80x0.80x13.80"
	30x26x350 mm <i>Pivot</i>	1.20x1.00x13.80"
	40x38x350 mm <i>Pivot</i>	1.60x1.50x13.80"
	50x48x350 mm <i>Pivot</i>	2.00x1.90x13.80"
	60x60x350 mm <i>Pivot</i>	2.40x2.40x13.80"
	70x70x350 mm <i>Pivot</i>	2.80x2.80x13.80"
<i>Set adapter yokes</i>	70x70x150 mm	2.75x2.75x5.90"

Touch screen

- Heating Temperature (1sensor)
Set- and actual temperature, time and power
- Heating Temperature (2sensor)
Set- and actual temperature, time and power. Actual temperature difference between inside and outside diameter
- Heating time
Set- and actual time
- Heating Time / temp ramp
Set- and actual temperature, time and power
- Languages
English, German, Spanish, French
- Error report
Shown in display

Others



Heating graph	Shown in display
External interface	USB 2.0 Port
Sound signal	Buzzer
Temperature hold	Yes
Demagnetizing	< 2A/cm
Magnetic probe	One piece
Thermal safety guard coil	Yes
Warranty	36 Months (24+12)