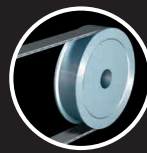


EASY-LASER®

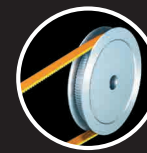
Fits almost any kind of sheave!



V-BELT



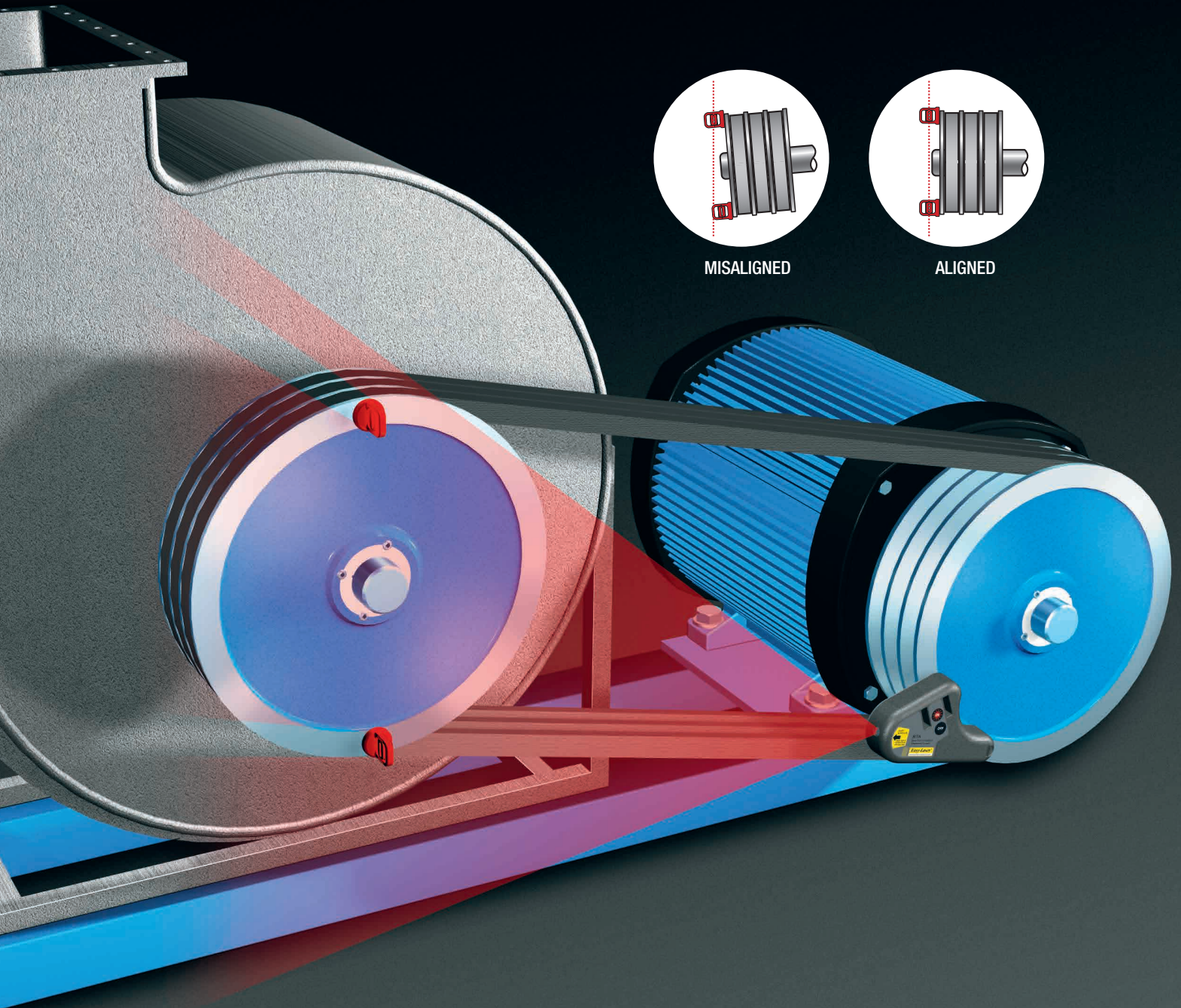
FLAT BELT



TIMING BELT



CHAIN DRIVES



MISALIGNED

ALIGNED

Belt Alignment

- Shows the parallel and angular misalignment between the sheaves
- For both horizontal and vertical mounted machines
- Much faster and more accurate than measurement by earlier, conventional methods
- Alignment can be made by just one technician
- Also suitable for non-magnetic sheaves

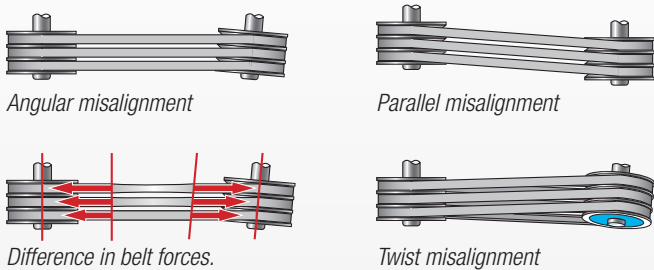
D90

EASY TO USE

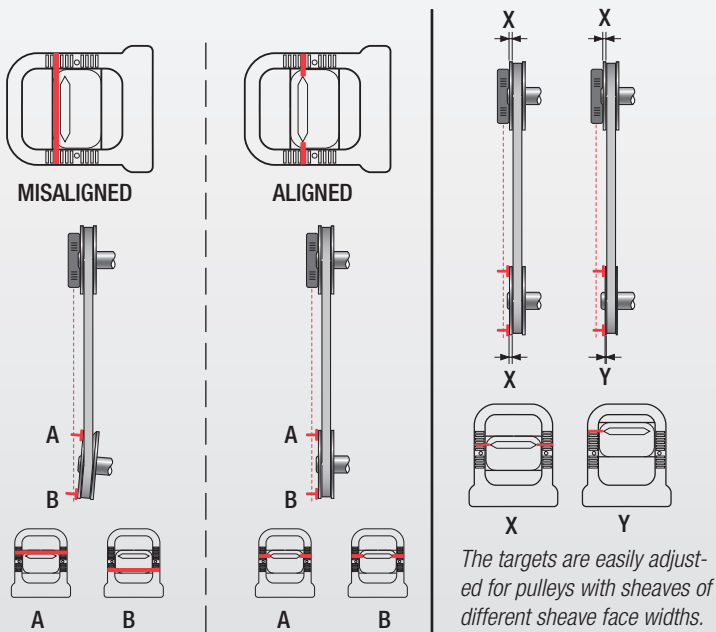
The tool is attached in a few seconds, and you can easily see the laser line projected onto the targets. When the line lies in the slots of the targets, the machine is in the right position. The result is a fast, precise alignment.

ALIGNMENT SAVES MONEY

When aligning with the Easy-Laser® BTA you reduce the wear on sheaves/pulleys, belts, bearings and seals as well as reducing vibration. Increased efficiency also means large energy cost savings. Especially transmissions with two or more belts, or wide belts, are highly affected by misalignment, causing large differences in belt tensions and also increased wear and tear on belt edges.



(Example of pulley alignment.)



Easy-Laser® D90 BTA, Part No. 12-0415

- 1 Laser transmitter
- 2 Targets
- 1 Padded carrying case

Laser transmitter

Sheave diameters	Ø 2.5" [60 mm] and larger
Measurement distance	33 feet [10 m]
Beam angle	60°
Laser class	2
Output power	<1 mW
Laser wavelength	635-670 nm
Beam angle	60°
Battery type	1xR6 (AA) 1.5 V
Battery operation	8 hours continuously
Material	ABS plastics / Hard anodized aluminium
Dimensions	WxHxD: 5.8"x3.4"x1.1" [145x86x30 mm]
Weight	8.6 oz [0.27 kg]

Targets

Type	2 pcs. magnet targets with adjustable center line
------	---



Easy-Laser® is manufactured by Easy-Laser AB, Alfagatan 6, SE-431 49 Möndal, Sweden
 Tel +46 31 708 63 00, Fax +46 31 708 63 50, e-mail: info@easylaser.com, www.easylaser.com
 © 2017 Easy-Laser AB. We reserve the right to make changes without prior notification.
 Easy-Laser® is a registered trademark of Easy-Laser AB. Other trademarks belong to the relevant copyright holder.
 This product complies with: EN60825-1, 21 CFR 1040.10 and 1040.11. 05-0344 rev2

CAUTION
LASER RADIATION
DO NOT STARE INTO BEAM
CLASS 2 LASER PRODUCT

CE

ISO
9001
CERTIFIED

3
YEAR
WARRANTY

GLOBAL
SUPPORT

LUDECA

Keep it running.

LUDECA Inc.
 1425 N.W. 88th Avenue
 Doral, FL 33172
 Phone: (305) 591-8935
 Fax: (305) 591-1537
 info@ludeca.com
 www.ludeca.com