

SC320 Series

USB Configurable, Dual Band Vibration plus Temperature Signal Conditioners



VIBRATION ANALYSIS HARDWARE

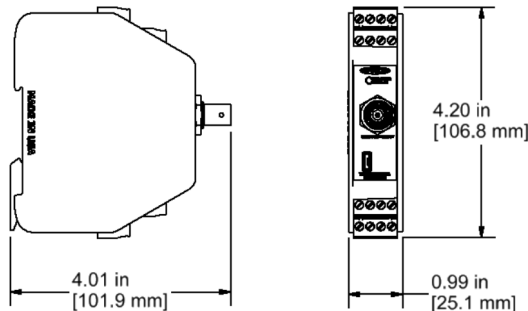


Product Features

Micro USB port and dedicated software allow for field configuration of input signal, scale values, filtering options and outputs; built-in IEPE supply for powering sensors can be toggled on or off configurations. **USB Configurator Cord Sold Separately

Provides process control signals to a PLC, DCS, or SCADA system that are proportional to the vibration levels set within the signal conditioner.

- ▶ Accepts a variety of signal inputs: acceleration, velocity, temperature and displacement; capable of monitoring ultrasound frequency signals up to 40 kHz
- ▶ Provides two separate band-pass filtered outputs from one single axis sensor input, including the option to select an ultra-sound frequency band
- ▶ An additional built-in temperature output is a standard supplied feature, which may be utilized when using a CTC TA200 series dual output vibration and temperature sensor



Specifications

Output	4-20 mA output signal proportional to temperature input (1-1.7 VDC input) Two fully configurable process control output signals for vibration (0-20 mA, 4-20 mA, 0-5 VDC, or 0-10 VDC)
Humidity Range	0-95% relative, non-condensing
Connectors	Screw Terminals, detachable
Input Power	24 to 32 VDC unregulated / 4W Absolute Maximum*
Sensor Power	24 VDC, 4 mA DC sensor excitation
Max Load Resistance	1000 ohms
Isolation	1000 VDC
Temperature Range	-40 to 176°F (-40 to 80°C)

Built to Order

*condition: VDC = 32V, CH1 = 20 mA,
CH2 = 20 mA, Temperature out = 20 mA
Cooling is required if enclosure temperature exceeds 140°F (60°C)

Backed by our Unconditional Lifetime Warranty

www.ctconline.com | sales@ctconline.com | 585-924-5900