

LP302 Series

Loop Power Sensor, Acceleration, 4-20 mA Output, Top Exit

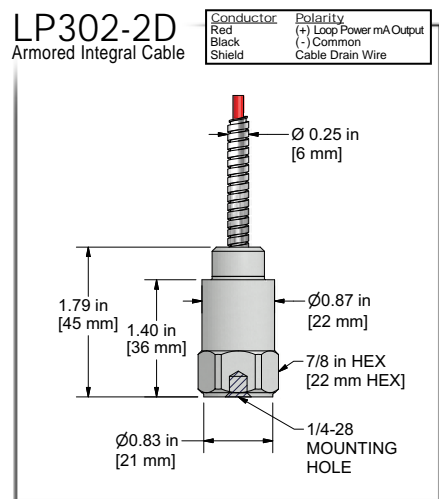
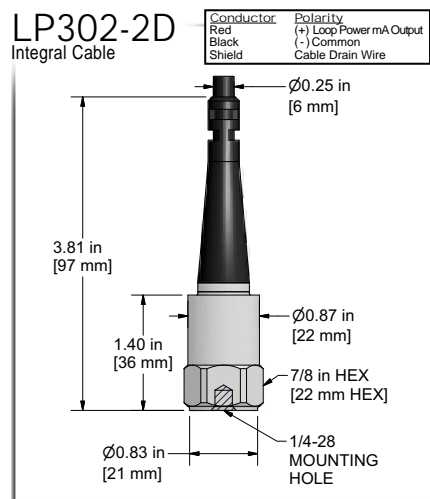
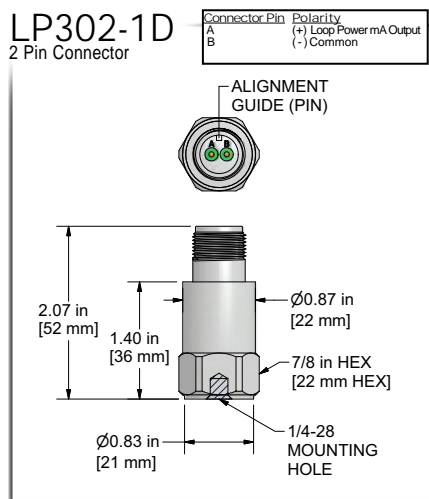


Actual Product Size Shown

Product Features

Acceleration Output for Higher Frequency Applications

- Peak and RMS Outputs Available
- Vibrational Alarms for Process Control
- Outputs to PLC, DCS, SCADA



Specifications	Standard	Metric
Output, 4-20 mA	See Selection Guide	
Measurement Range		
Electrical		
Settling Time (Turn on Time) @ Room Temp (68° F/20° C)	<30 Seconds	
Power Requirement (Loop Powered) Voltage Source	15-30 VDC	
Electrical Case Isolation	>10 ⁸ ohm	
Environmental		
Temperature Range	-40 to 185°F	-40 to 85°C
Electromagnetic Sensitivity	CE	
Sealing	Welded, Hermetic	
Submersible Depth(LP302-2D)	500 ft.	152 m

Specifications	Standard	Metric
Physical		
Sensing Element	PZT Ceramic	
Sensing Structure	Shear Mode	
Weight (without cable)	2.9 oz	82 grams
Case Material	316L Stainless Steel	
Mounting Hole	1/4-28	
Connector (LP302-1D)	2 Pin MIL-C-5015	
Integral Cable (LP302-2D)	Polyurethane Jacketed Cable	
Armored Cable (LP302-3D)	Armor Jacketed Cable	
Mechanical		
Mounting Torque	2 to 5 ft. lbs.	2,7 to 6,8 Nm
Supplied Accessories		
Mounting Hardware	1/4-28 Stud	M6x1 Adapter Stud
Calibration Certificate	Current Output @ 100 Hz	

Ordering Information



Stud Type	Measurement Range	Range Type	Frequency Range +/- 3dB	Style	Armor Length (Integral)	Cable Length (Integral)
M = M6x1 (blank for 1/4-28)	0 = 0-1 g 2 = 0-2 g 5 = 0-5 g 10 = 0-10 g 20 = 0-20 g	R = RMS P = Peak	1 = 600-60,000 CPM (10-1000 Hz) 2 = 180-150,000 CPM (3-2500 Hz) 3 = 180-60,000 CPM (3-1000 Hz) 4 = 180-300,000 CPM (3-5000 Hz) 5 = 180-600,000 CPM (3-10000 Hz)	1D = 2 Pin MIL C-5015 2D = Integral Cable 3D = Armor Jacket	010 = 10 ft. (3 m) 020 = 20 ft. (6 m) 030 = 30 ft. (9 m) 050 = 50 ft. (15 m) 100 = 100 ft. (30 m) <i>(Custom lengths available upon request)</i>	010 = 10 ft. (3 m) 020 = 20 ft. (6 m) 030 = 30 ft. (9 m) 050 = 50 ft. (15 m) 100 = 100 ft. (30 m) <i>(Custom lengths available upon request)</i>

Lifetime Warranty on Materials & Workmanship

www.ctconline.com



PROTECTION & RELIABILITY
OPTIMIZATION INSTRUMENTS
A CTE COMPANY