



Actual Product Size Shown



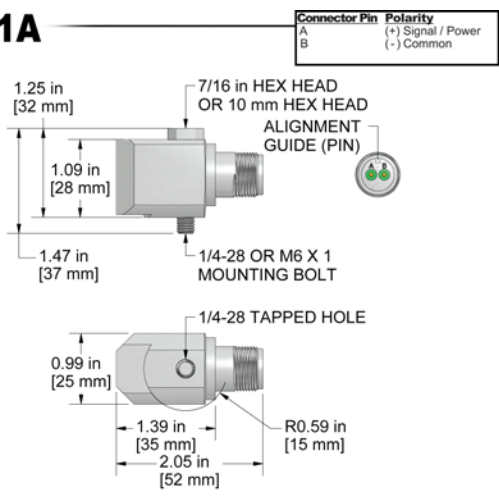
Product Features

**High Temperature (302°F)
Side Exit Sensor**

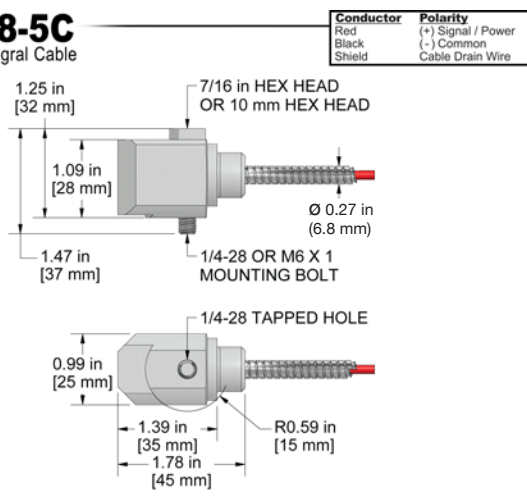
Popular, Proven Side Exit Sensor for Standard High Temperature Applications

- Resistant to Temperatures Up to 302°F, (150°C)
- Great for Extended Use at High Temperatures
- ±80 g, Peak Dynamic Range

AC208-1A 2 Pin Connector



AC208-5C Armored Integral Cable



Specifications	Standard	Metric
Part Number	AC208	M/AC208
Sensitivity (±10%)	100 mV/g	
Frequency Response (±3dB)	60-480,000 CPM	1,0-8000 Hz
Frequency Response (±10%)	120-180,000 CPM	2,0-3000 Hz
Dynamic Range	± 80 g, peak	
Electrical		
Settling Time	<2.5 seconds	
Voltage Source	18-30 VDC	
Constant Current Excitation	2-10 mA	
Spectral Noise @ 10 Hz	8 µg/√Hz	
Spectral Noise @ 100 Hz	0.82 µg/√Hz	
Spectral Noise @ 1000 Hz	0.3 µg/√Hz	
Output Impedance	<100 ohm	
Bias Output Voltage	10-14 VDC	
Case Isolation	>10 ⁸ ohm	

Specifications	Standard	Metric
Environmental		
Temperature Range	-58 to 302° F	-50 to 150°C
Maximum Shock Protection	5,000 g, peak	
Electromagnetic Sensitivity	CE	
Sealing	Welded, Hermetic	
Physical		
Sensing Element	PZT Ceramic	
Sensing Structure	Shear Mode	
Weight	5.1 oz	145 grams
Case Material	316L Stainless Steel	
Mounting	1/4-28	
Connector (non-integral)	2 Pin MIL-C-5015	
Resonant Frequency	1,200,000 CPM	20000 Hz
Mounting Torque	2 to 5 ft. lbs.	2,7 to 6,8 Nm
Mounting Hardware	1/4-28 Captive Bolt	M6x1 Captive Bolt
Calibration Certificate	CA10	

Ordering Information

Standard	AC208-1A (1/4-28 Captive Bolt)	AC208-5C - / [] [] [] / [] [] [] - [] (1/4-28 Captive Bolt) (armor length in feet) (cable length in feet) (termination)
Metric	M/AC208-1A (M6x1 Captive Bolt)	M/AC208-5C - / [] [] [] M / [] [] [] M - [] (M6x1 Captive Bolt) (armor length in feet) (cable length in feet) (termination)
		[] [] [] M / [] [] [] M - [] (armor length in meters) (cable length in meters) (termination)

Cable Termination Options: E F Z



Backed by our Unconditional Lifetime Warranty