



Actual Product Size Shown



### Product Features

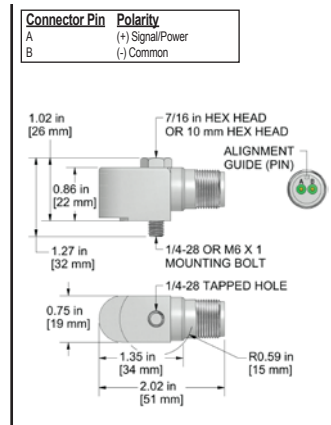
**High Performance in an Affordable, Side Exit Compact Sensor**

**Very Low Noise**

- Superior RF Immunity
- $\pm 80$  g, Peak Dynamic Range,  $\pm 10\%$  Sensitivity
- Standard 2 Pin MIL Connection

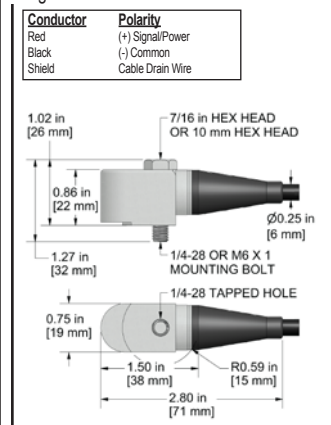
#### AC194-1D

2 Pin Connector



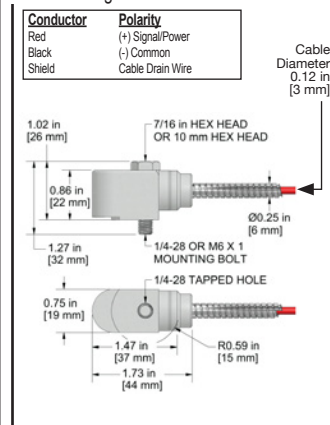
#### AC194-2D

Integral Cable



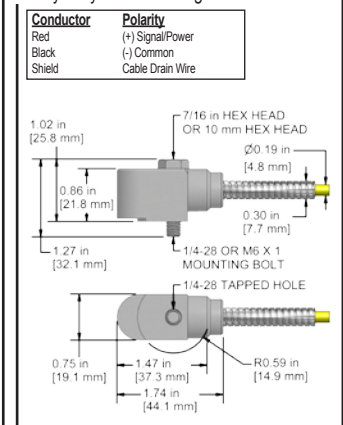
#### AC194-3D

Armored Integral Cable



#### AC194-6D

Heavy Duty Armored Integral Cable



Specifications	Standard	Metric
Part Number	AC194	M/AC194
Sensitivity ( $\pm 10\%$ )	100 mV/g	
Frequency Response ( $\pm 3$ dB)	30-600,000 CPM	0.5-10000 Hz
Dynamic Range	$\pm 80$ g, peak	
<b>Electrical</b>		
Settling Time	<2 Seconds	
Voltage Source	18-30 VDC	
Constant Current Excitation	2-10 mA	
Spectral Noise @ 10 Hz	8 $\mu$ g/√Hz	
Spectral Noise @ 100 Hz	4 $\mu$ g/√Hz	
Spectral Noise @ 1000 Hz	2 $\mu$ g/√Hz	
Output Impedance	<100 ohm	
Bias Output Voltage	10-14 VDC	
Case Isolation	>10 <sup>8</sup> ohm	

Specifications	Standard	Metric
<b>Environmental</b>		
Temperature Range	-58 to 250°F	-50 to 121°C
Maximum Shock Protection	5,000 g, Peak	
Electromagnetic Sensitivity	CE	
Sealing	Welded, Hermetic	
Submersible Depth (AC194-2D/3D)	200 ft.	60 m
<b>Physical</b>		
Sensing Element	PZT Ceramic	
Sensing Structure	Shear Mode	
Weight	3.3 oz	93 grams
Case Material	316L Stainless Steel	
Mounting	1/4-28	
Connector (non-integral)	2 Pin MIL-C-5015	
Resonant Frequency	1,200,000 CPM	23000 Hz
Mounting Torque	2 to 5 ft. lbs.	2.7 to 6.8 Nm
Mounting Hardware	1/4-28 Captive Bolt	M6x1 Captive Bolt
Calibration Certificate	CA10	

### Ordering Information

Standard	AC194-1D (1/4-28 Captive Bolt)	AC194-2D - / [ ] - [ ] (1/4-28 Captive Bolt)	AC194-3D - / [ ] / [ ] - [ ] (1/4-28 Captive Bolt)	AC194-6D - / [ ] / [ ] - [ ] (1/4-28 Captive Bolt)
Metric	M/AC194-1D (M6x1 Captive Bolt)	M/AC194-2D - / [ ] - [ ] (M6x1 Captive Bolt)	M/AC194-3D - / [ ] / [ ] - [ ] (M6x1 Captive Bolt)	M/AC194-6D - / [ ] / [ ] - [ ] (M6x1 Captive Bolt)
		(length in feet) (termination)	(maximum armor length 100 ft.) (cable length in feet) (termination)	(maximum armor length 20 ft.) (cable length in feet) (termination)
		(length in meters) (termination)	(maximum armor length 30 m) (cable length in meters) (termination)	(maximum armor length 6 m) (cable length in meters) (termination)

**Cable Termination Options: E** **F** **Z**



**Backed by our Unconditional Lifetime Warranty**