

# AC144 Series

Multi-Purpose mini-MIL Accelerometer, Side Exit Connector / Cable, 100 mV/g

## mini-MIL

Must Use J2X Series Connectors

## Product Features

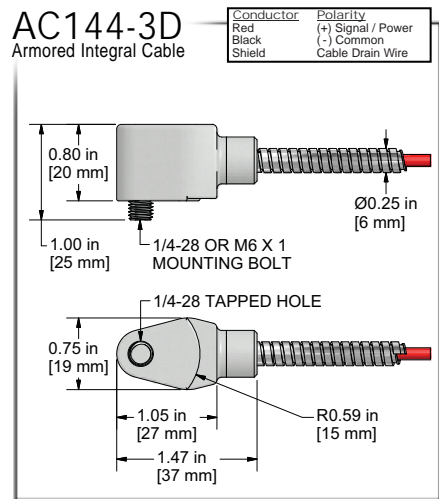
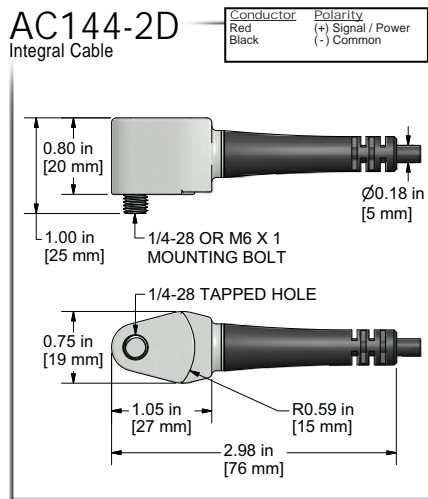
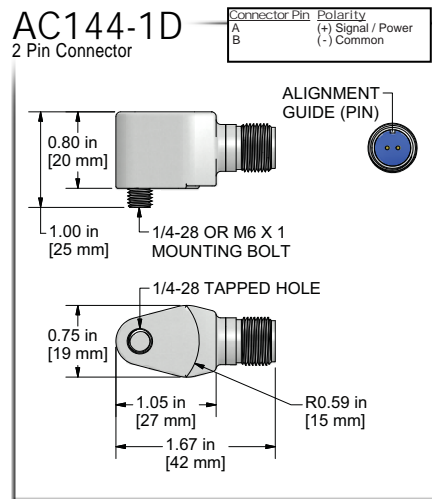
Low-Cost Small Accelerometer, Great for Hard-to-Reach Locations!

Industrial Accelerometer, Perfect for Many Applications



Actual Product Size Shown

- $\pm 50$  g, Dynamic Range
- 100 mV/g Frequency Response
- Mini-MIL Side Connector



Specifications	Standard	Metric
Part Number	AC144	M/AC144
Sensitivity ( $\pm 15\%$ )		100 mV/g
Frequency Response ( $\pm 3$ dB)	36-600,000 CPM	0,6-10000 Hz
Dynamic Range		$\pm 50$ g, peak
<b>Electrical</b>		
Settling Time		<2.5 seconds
Voltage Source		18-30 VDC
Constant Current Excitation		2-10 mA
Spectral Noise @ 10 Hz		27 $\mu\text{g}/\sqrt{\text{Hz}}$
Spectral Noise @ 100 Hz		6.5 $\mu\text{g}/\sqrt{\text{Hz}}$
Spectral Noise @ 1000 Hz		2.5 $\mu\text{g}/\sqrt{\text{Hz}}$
Output Impedance		<100 ohm
Bias Output Voltage		7-14 VDC
Case Isolation		>10 <sup>8</sup> ohm

Specifications	Standard	Metric
<b>Environmental</b>		
Temperature Range	-58 to 250° F	-50 to 121°C
Maximum Shock Protection		5,000 g, peak
Electromagnetic Sensitivity		CE
Sealing		Welded, Hermetic
Submersible Depth (AC144-2D)	500 ft.	152 m
<b>Physical</b>		
Sensing Element		PZT Ceramic
Sensing Structure		Shear Mode
Weight	2.1 oz	60 grams
Case Material		316L Stainless Steel
Mounting		1/4-28
Connector (non-integral)		2 Pin mini-MIL
Resonant Frequency	1,560,000 CPM	26000 Hz
Mounting Torque	2 to 5 ft. lbs.	2,7 to 6,8 Nm
Mounting Hardware	1/4-28 Captive Bolt	M6x1 Captive Bolt
Calibration Certificate		CA10

## Ordering Information

Standard	AC144-1D	AC144-2D	AC144-3D
	(1/4-28 Bolt)	(1/4-28 Bolt)	(1/4-28 Bolt)
		- / [ ] - [ ]	- / [ ] / [ ] - [ ]
		(length in feet) (termination)	(armor length in feet) (cable length in feet) (termination)
Metric	M/AC144-1D	M/AC144-2D	M/AC144-3D
	(M6x1 Adapter Bolt)	(M6x1 Adapter Bolt)	(M6x1 Adapter Bolt)
		- / [ ] - [ ]	- / [ ] / [ ] - [ ]
		(length in feet) (termination)	(armor length in feet) (cable length in feet) (termination)
		[ ] M - [ ]	[ ] M / [ ] M - [ ]
		(length in meters) (termination)	(armor length in meters) (cable length in meters) (termination)

Cable Termination Options: E F Z

Backed by our Unconditional Lifetime Warranty

www.ctonline.com



Section 1 - Accelerometers  
AC144 Series