

AC140 Series

Multi-Purpose mini-MIL Accelerometer, Top Exit Connector/Cable, 100 mV/g

SECTION 1 - VIBRATION SENSORS
Accelerometers

Actual Product Size Shown



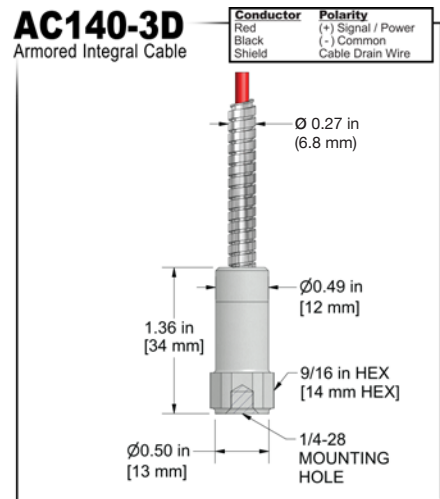
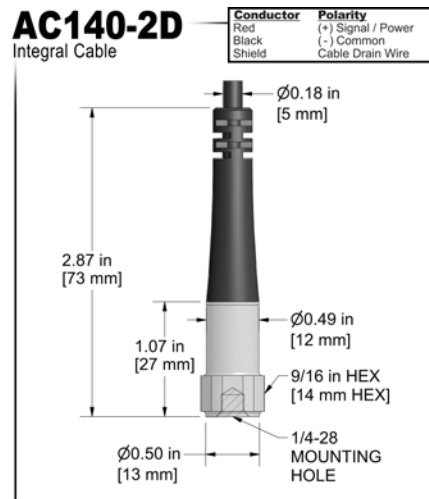
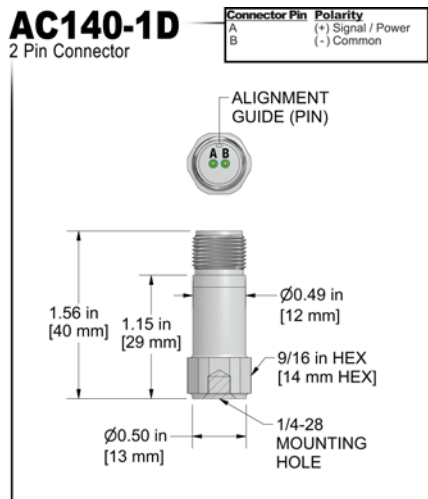
mini-MIL Must Use J2X Series Connectors

Product Features

Small Accelerometer, Great for Hard-to-Reach Locations!

Industrial Accelerometer, Perfect for Many Applications

- Small, Easy to Manage Size
- 2 Pin Mini-MIL Connection
- ±15% Sensitivity



Specifications	Standard	Metric
Part Number	AC140	M/AC140
Sensitivity (±15 %)		100 mV/g
Frequency Response (±3dB)	36-900,000 CPM	0,6-15000 Hz
Frequency Response (±10%)	60-420,000 CPM	1,0-7000 Hz
Dynamic Range		± 50 g, peak
Electrical		
Settling Time		<2.5 seconds
Voltage Source		18-30 VDC
Constant Current Excitation		2-10 mA
Spectral Noise @ 10 Hz		30 µg/√Hz
Spectral Noise @ 100 Hz		4 µg/√Hz
Spectral Noise @ 1000 Hz		2 µg/√Hz
Output Impedance		<100 ohm
Bias Output Voltage		10-14 VDC
Case Isolation		>10 ⁹ ohm

Specifications	Standard	Metric
Environmental		
Temperature Range	-58 to 250° F	-50 to 121°C
Maximum Shock Protection		5,000 g, peak
Electromagnetic Sensitivity		CE
Sealing		Welded, Hermetic
Submersible Depth (AC140-2D/3D)	500 ft.	152 m
Physical		
Sensing Element		PZT Ceramic
Sensing Structure		Shear Mode
Weight	0.7 oz	20 grams
Case Material		316L Stainless Steel
Mounting		1/4-28
Connector (non-integral)		2 Pin mini-MIL
Resonant Frequency	2,040,000 CPM	34000 Hz
Mounting Torque	2 to 5 ft. lbs.	2,7 to 6,8 Nm
Mounting Hardware	1/4-28 Stud	M6x1 Adapter Stud
Calibration Certificate		CA10

Ordering Information

Standard	AC140-1D (1/4-28 Stud)	AC140-2D - / [] [] [] - [] (1/4-28 Stud) (length in feet) (termination)	AC140-3D - / [] [] [] / [] [] [] - [] (1/4-28 Stud) (armor length in feet) (cable length in feet) (termination)
Metric	M/AC140-1D (M6x1 Adapter Stud)	M/AC140-2D - / [] [] [] - [] (M6x1 Adapter Stud) (length in feet) (termination)	M/AC140-3D - / [] [] [] / [] [] [] - [] (M6x1 Adapter Stud) (armor length in feet) (cable length in feet) (termination)
		[] [] [] M - [] (length in meters) (termination)	[] [] [] M / [] [] [] M - [] (armor length in meters) (cable length in meters) (termination)

Cable Termination Options: E F Z

Backed by our Unconditional Lifetime Warranty

www.ctconline.com

